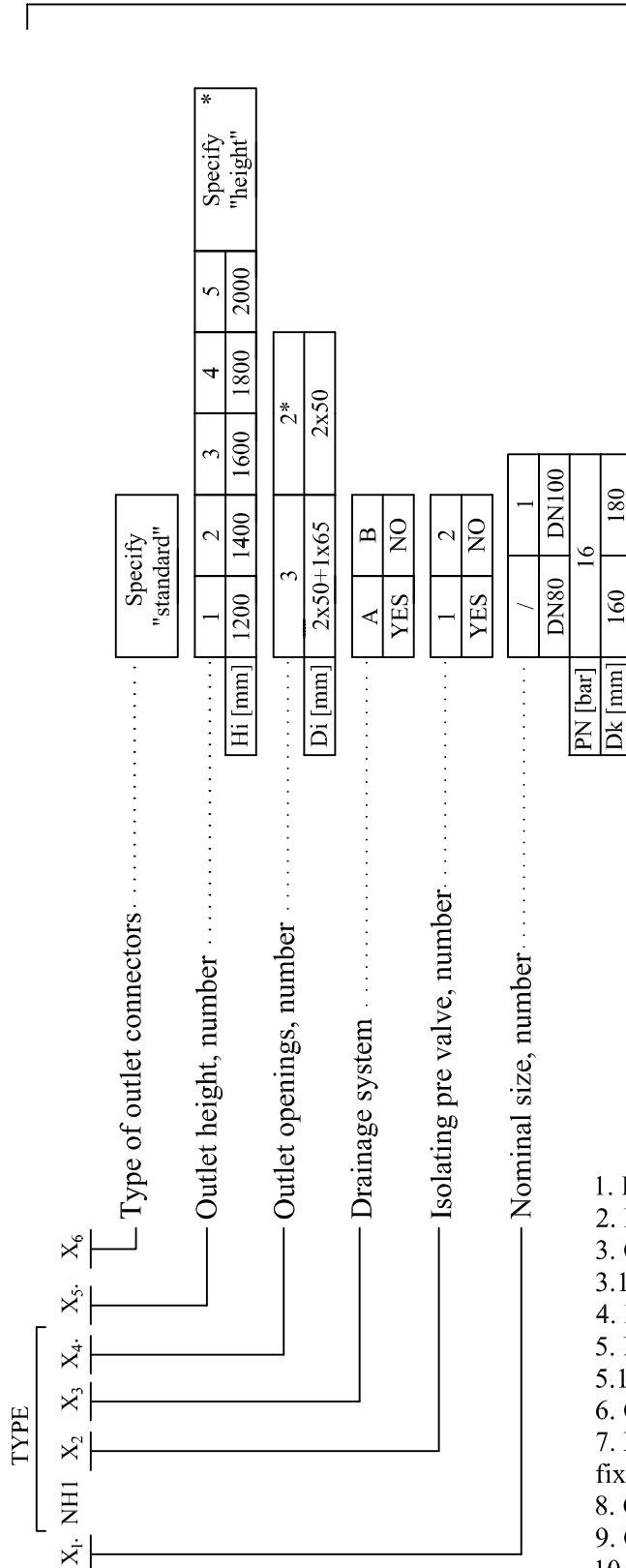


PILLAR FIRE HYDRANT NH1...

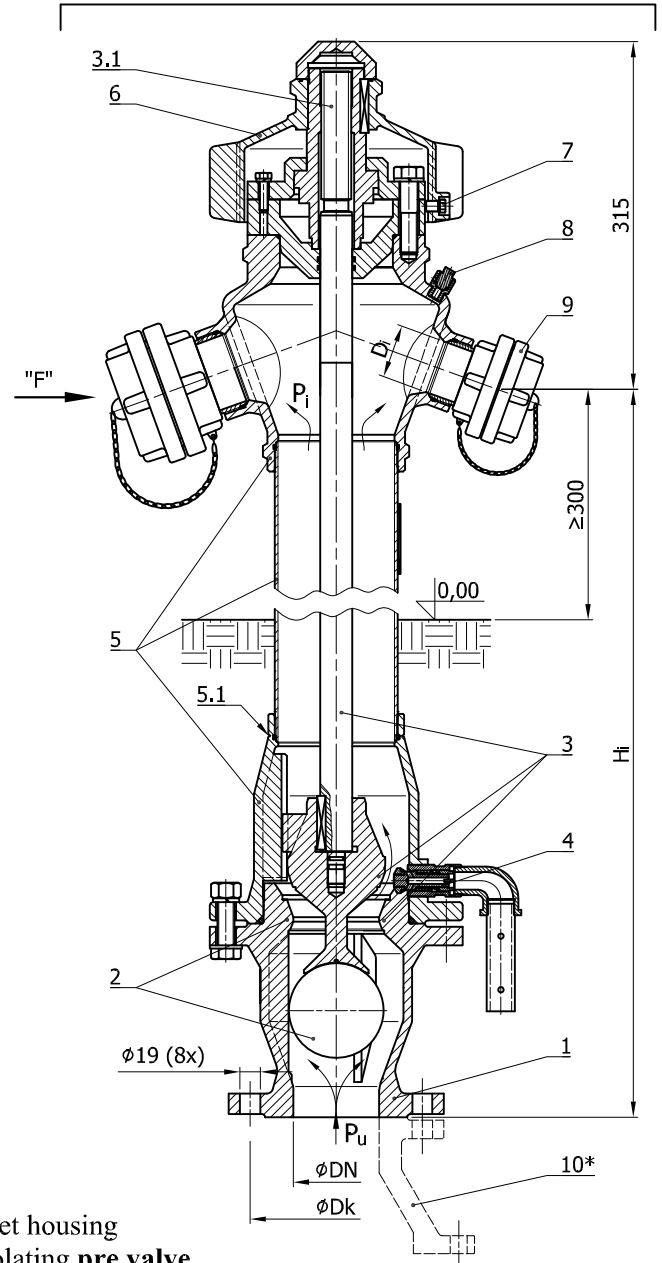
<Two in one = hydrant + isolating pre valve>



INDICATION ORDER



APPEARANCE



1. Inlet housing
 2. Isolating **pre valve**
 3. Obturator - **main valve**
 - 3.1. Threaded part of obturator
 4. Drainage system
 5. Body
 - 5.1. **Breaking place** due to the force "F"
 6. Cap
 7. **Blocking of unauthorized activation**, fixing of selected flow
 8. **Control air valve**
 9. Outlet connectors
 10. Inlet adapter*
- *delivery on special request

PILLAR FIRE HYDRANT NH1...

<Two in one = hydrant + isolating pre valve>

- * **Secure** = Complied with the requirements of the applicable standards EN 14384 = **CE**
- * **Certificate: "EC - CERTIFICATE OF CONFORMITY"**.
- * **Purpose:** Taking water from underground water pipes **for fire protection and communal needs**.

Technical characteristics:

- * nominal openings(DN 80; DN 100) mm
- * nominal pressurePN 16 bar
- * **breaking torque** (due to the force "F")..... $\approx 13 \times 10^3$ Nm
- * **flow ratio**.....**KV [m³/h]**
- * isolating pre valve.....
- * drainage system.....
- * outlet openings.....
- * outlet height.....
- * type of outlet connectors.....
- * weight..... ~ (67÷78) daN for Hi (1200÷2000) mm
- * materials:

Browse
"indication order"

Di=1x65	Di=2x50
Determined	
At terms: with pre valve; Hi=2000	
127	136
Allowed	
min 80	min 60

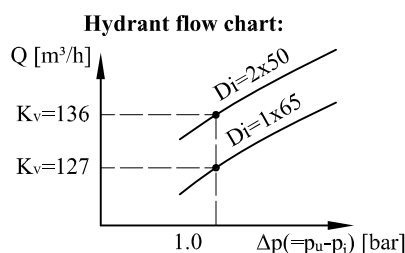
- hydrant bodycast iron / stainless steel
- obturator seat.....brass
- spindle.....stainless steel
- seal.....elastomers

Advantages:

- * **Repair of the hydrant, while supply pipeline remains in function,**
- * **Replacement of obturator's seal: supply pipeline remains in function, without excavation of ground and without disassembling of the hydrant body,**
- * **Prevented damage of supply pipeline = breaking place 5.1** due to the force "F",
- * **Automatic stop of water leakage**, when broken due to the force "F",
- * **Activation without any special tools**, reversing the cap on top of hydrant,
- * **Possibility to block unauthorized activation**, fixing of selected flow,
- * **Isolating pre valve inside of hydrant**, automatic, self-blocking, **which allows:**
 - **to leave out special isolating valve in front of hydrant,**
 - **lower cost** of acquisition and maintenance of hydrant network,
 - **the usage of hydrant even when the obturator is defective,**
 - **installation** of hydrant close to, **even directly above**, inlet pipeline,
- * **Obturator seal is conical, self-rinsing** = prevented from retention of the dirt = **longer service life of seal,**
- * **Threaded part of obturator** is: out of water flow, **permanently lubricated, without maintenance** during entire service life,
- * High strength of seal and hydrant body, MsT > 250 Nm,
- * **Easy activation: class 1, MOT < 30 Nm** (max. allowed 125 Nm; class 3),
- * **Quick activation:** 1 turn until water appearance, 9 turns until maximum flow (max. allowed 15 turns),
- * **High reliability** of drainage system = **two outlet openings, and self-rinsing of drainage valve,**
- * **Easy correctness control** of a drainage valve and obturator,
- * **Leaktightness of seal even after 1000 activations,**
- * Amount of remaining water in hydrant body, < 80 cm³ (max. allowed 100 cm³),
- * **Quick drainage, (3-4,5) min**, at Hi=(1200-2000) mm (max. allowed 10 min.),
- * **Easy replacement of obturator's seat,**
- * **Access to the drainage valve;** only partial excavation, and **without disassembling of hydrant body.**

Documents with delivery of hydrant:

- * Declaration of Performance
- * Instruction for safety work (installation, handling, inspection, maintenance)



$$Q = K_v \times (1000 \Delta p / \rho)^{1/2}$$

- flow..... $Q = [\text{m}^3/\text{h}]$
- flow ratio..... $K_v = [\text{m}^3/\text{h}]$
- pressure difference..... $\Delta p = [\text{bar}]$
- water density..... $\rho = [\text{kg}/\text{m}^3]$